

SPECIFICATIONS

ELECTRICAL TRAVEL:

RESISTANCE:

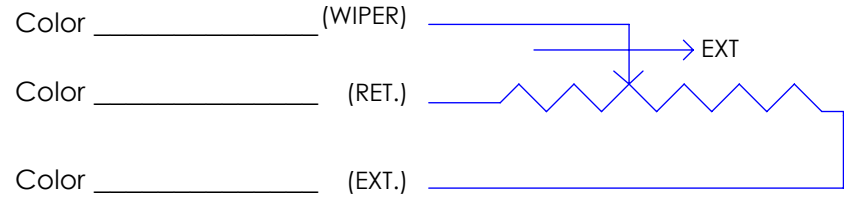
MECHANICAL TRAVEL:

LINEARITY:

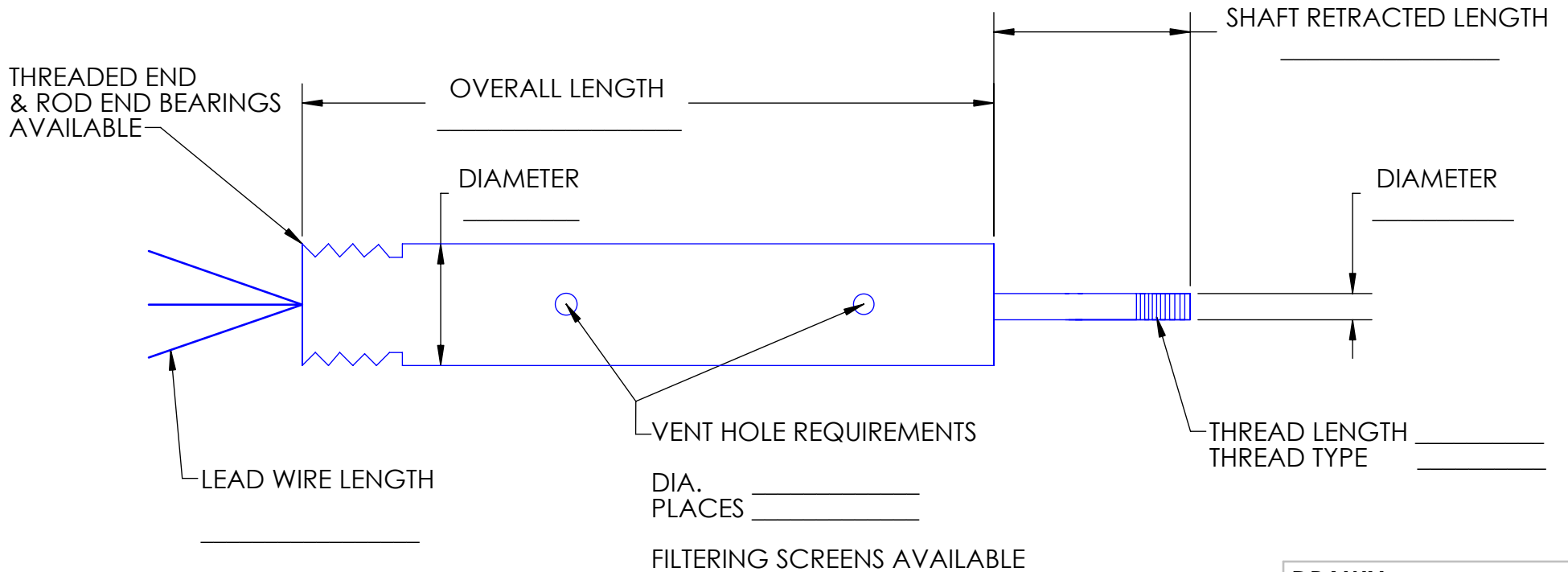
OPERATING TEMP:

INSULATION RESISTANCE:

OPERATING PRESSURE:



WIRE DIAGRAM



DRAWN:

NOTES:

REV

PAGE

SUBMINIATURE INSTRUMENTS CORP.

2147 N. RULON WHITE BLVD #106 OGDEN UT 84404
801-392-8557 FAX 801-392-8624 www.subminiaturecorp.com
SUBINSTRUMENTS@GMAIL.COM

REV					
ECO					
DATE					
APP					

SCALE

TITLE

TOLERANCES
UNLESS OTHERWISE SPECIFIED

.XX ± .010
.XXX ± .005
ANGLES ± .5°
DRILL ± .001
FRACTION ± 1/32

MATERIAL

FINISH